



**OWATONNA**  
PUBLIC UTILITIES  
208 S. Walnut Ave.  
P.O. Box 800  
Owatonna, MN 55060  
Phone: (507) 451-2480  
Fax: (507) 451-3695  
owatonnautilities.com

# OWATONNA PUBLIC UTILITIES STANDARDS FOR INSTALLATION OF WATER METERS (1½" - 6")

**RESPONSIBILITIES:**

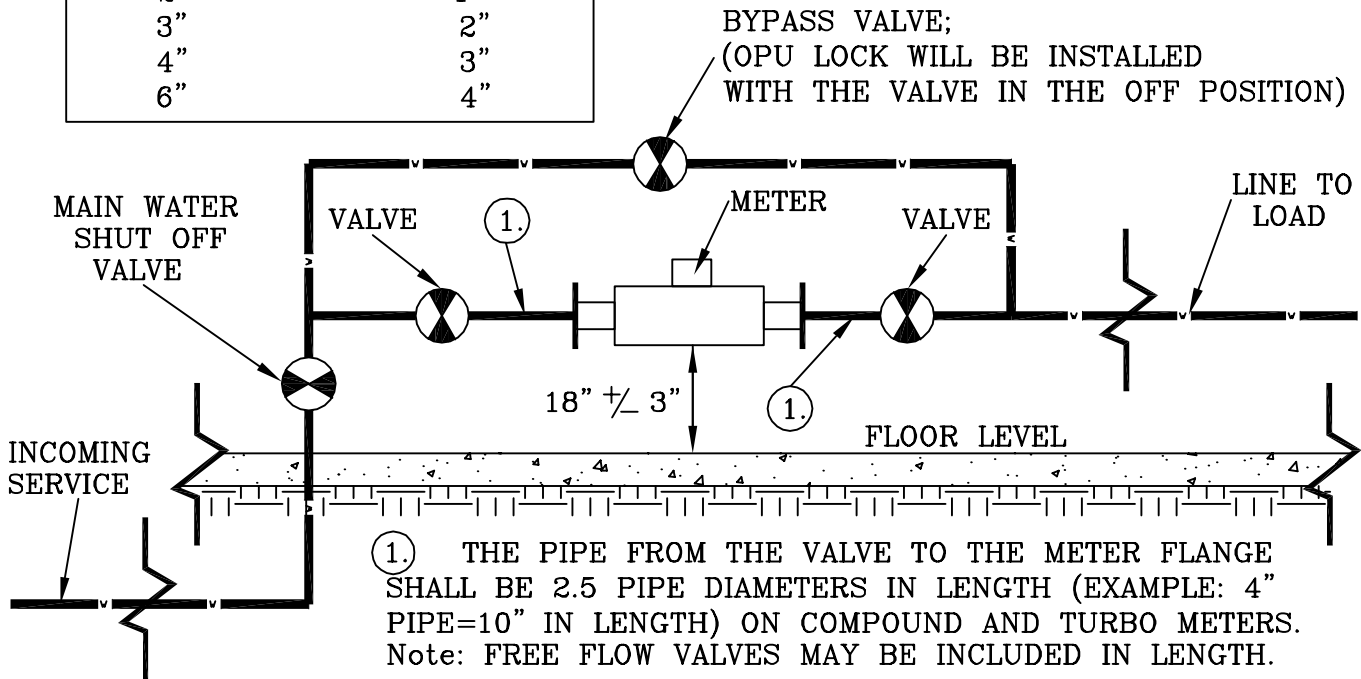
OPU  
METER  
COMPANION FLANGES  
GASKETS  
BRASS BOLTS

CONTRACTOR  
PIPING  
VALVES  
BY-PASS

ALL WATER METERS 1½" OR LARGER SHALL REQUIRE A BYPASS AROUND THE METER. THIS BYPASS MUST BE CAPABLE OF SUPPLYING CONTINUED SERVICE TO THE CUSTOMER DURING METER REMOVAL OR REPLACEMENT.

THE CHART BELOW IS A QUICK REFERENCE TO BYPASS SIZE STANDARDS.

METER SIZE	BYPASS SIZE
1½"	1"
2"	1"
3"	2"
4"	3"
6"	4"



By signing this document I as the collector of said meter have assured the following specifications will be passed on to the employer and installer. It is the responsibility of the employer of the collector if not the installer sees that all provisions of this detail are met. Installation will be verified by OPU metering personnel and any discrepancy from this detail shall be corrected by the signatory.

INSTALLED LOCATION: \_\_\_\_\_  
 COLLECTOR: \_\_\_\_\_  
 COMPANY: \_\_\_\_\_ PHONE #: \_\_\_\_\_  
 OPU REPRESENTATIVE: \_\_\_\_\_ DATE: \_\_\_\_\_  
 METER NUMBER: \_\_\_\_\_